

LM+ Dry Bulk Manhole

The Gold Standard in handling, transfer and transport of Dry Bulk commodities around the globe.

The LM Hatch offers unique features that Deliver Superior Performance

LM series dry bulk manhole covers allow safe and easy access for loading, inspection and cleaning of dry bulk tanks. These quick opening manholes are compliant to 49 CFR 178.345-5 and AS1210 for use in dry bulk applications.

LM series hatches have set the standard for cost effective, efficient and reliable operation in a wide range of handling applications including salt, cement, dry food products, sand chemicals, crude oil and other general applications with a rated working pressure of 207 kPa (30 psi).

Features and Benefits

- AS1210 compliant
- 6 quick-opening adjustable cam levers
- Open rib cover design provides strength without product hangup
- Easy to Install
- Smooth Operation
- Working Pressure of 207 kPa (30 psi)
- Nylon wear plates offer increased service life and come standard on LM series manholes

Barbed Gasket Design

- Easy to install
- No special tools needed
- No mess
- Performance immune to change in climate
- Available in Neoprene, Buna-N, or Viton material
- Easy to replace when updating cam components

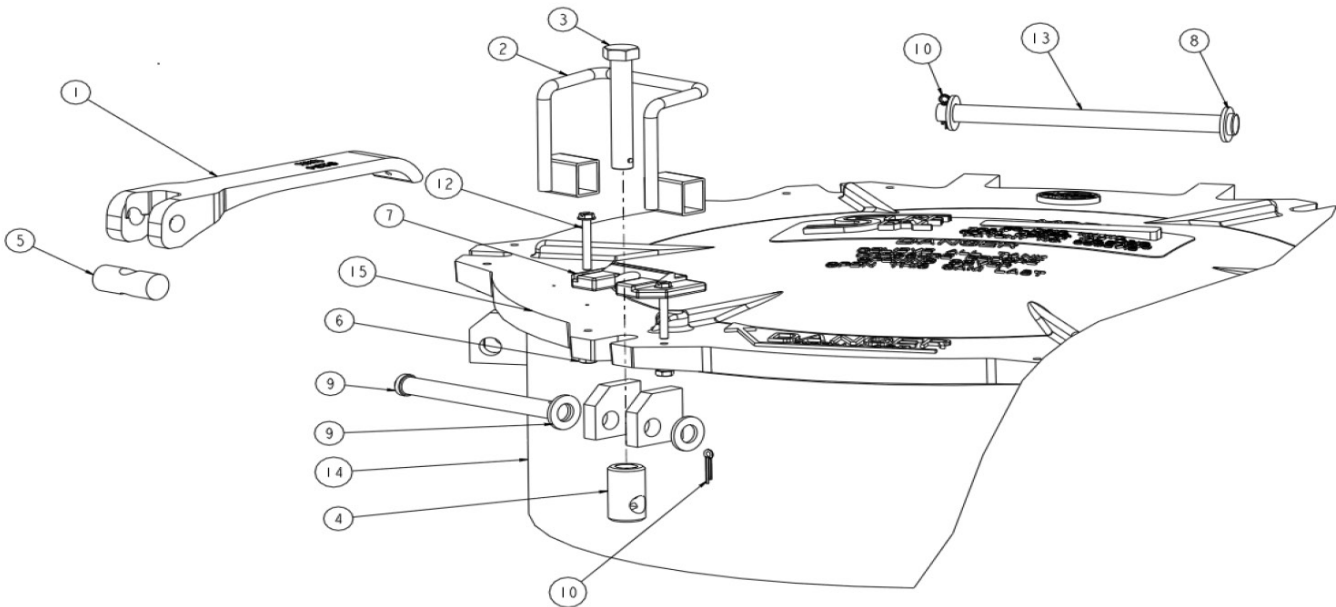


The LM manhole's advanced cam mechanism lets you adjust the cam bolt for a precision alignment and evenly applied lid force.

Advanced Cam Mechanism

- Adjustable cam bolts
- Precision alignment with lid
- Evenly applied lid force
- Consistent, superior seal
- Longer cam levers provide better leverage
- Improved mechanical operation
- Can be retrofitted to existing LM Manholes
- Simple, safe installation saves time and money

LM1151 Specifications



LM1151 Specifications

ITEM	PART NUMBER	DESCRIPTION	REQ'D QTY
1	10079	Cam Lever	6
2	9300	Safety Catch	1
3	10147	Bolt	6
4	1012	Connector	6
5	3068	Pin, Upper Pivot	6
6	4486	Lock Nut	12
7	6832	Wear Plate (Nylon)	6
8	1043	Washer (1/2" Flat)	4
9	5084	Pin, Safety Catch	1
10	1045	Cotter Pin	7

ITEM	PART NUMBER	DESCRIPTION	REQ'D QTY
11	5677	Cam Pin (Not Shown)	6
12	6585	Screw (10-24 x 1-1/4")	12
13	3955	Pin, Clevis Pld.	1
14	3467	Weld Ring (Aluminum)	1
15	9093	Cover (Aluminum)	1
	10869	Single Cam Assembly	
	10870	Single Cam Assembly w/Safety Catch	
	9209	Gasket, White Neoprene	
	9821	Gasket, Black Buna-N	
	12233	Gasket, Viton	

Cam Kit 9583 can also be purchased that includes:
5 - 10869, 1 - 10870, 6 - 6832, 12 - 4486, 12 - 6585



LM Manholes

CAM Adjustment

Precision Alignment with Lid
Superior Seal

Gasket

Tool-less Barbed Gasket
No Thermal Changes Caused by Climate



Typical Industry Manhole

CAM Adjustment

No Precision Alignment with Lid
Seal Wears Down Over Time

Gasket

Special Tools Required
Affected by Changes in Climate